

Aero Pure

Specifications

AP 200DH-S SERIES

Quiet Bathroom Ventilation Fan

Description: Quiet DC (Direct Current) bathroom exhaust fan engineered for continuous run • Ceiling or wall mount • Integrated user adjustable humidity sensor • Suitable for new construction or remodeling • HVI certified • ENERGY STAR qualified • ETL listed for use in insulated ceilings (Type I.C.).

Motor/Blower: Permanently lubricated enclosed brushless DC motor engineered for continuous energy efficient operation; power rating 120v/60Hz; motor equipped with thermal shut off.

Housing: Rugged 26 GA corrosion-resistant galvanized steel; 2 anti-vibration hangar bar brackets adjustable to 24" span included; designed for ceilings with a minimum of 8" clearance.

Duct: Detachable 6" duct connector with built-in back draft dampener.

Grille: Contemporary design; low maintenance, wipe clean UV inhibiting polymeric resin; attaches to housing with torsion springs.

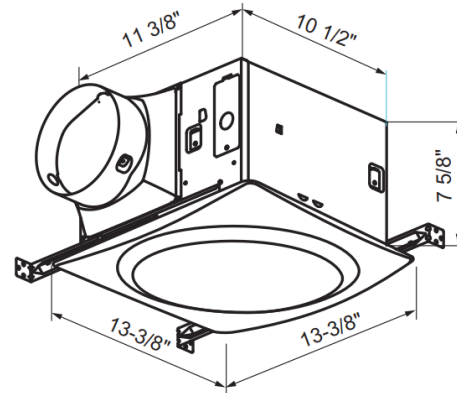
Finishes: White (W)

Installation: Must be installed by a licensed professional. Complete installation instructions included.

User-Adjustable Integrated Sensor: Humidity sensor adjustable from 50-100% relative humidity (RH); responds to a.) rapid to moderate rise in humidity or b.) humidity above preset RH set point.

Warranty: 6 Years

Architect's Specifications: Ventilation fan will be ceiling or wall mount, ENERGY STAR qualified and no more than 2.0 sones at 200 CFM as certified by HVI at 0.1 Ps (inches water gauge). Power consumption shall be no greater than 24 watts and ENERGY STAR rated with an efficiency rating of no less than 8.3 CFM/watt. The motor will be permanently lubricated, engineered for continuous operation. Duct diameter will be 6" round. Fan shall be ETL/cETL listed for tub/shower enclosure when used with GFCI branch circuit wiring and shall be ETL/cETL listed for use in insulated ceiling (Type I.C.). Fan shall be ASHRAE 62.2, LEED, CalGreen, and WA Ventilation Code compliant.



ETL Listed for installation over tub/shower enclosure with GFCI circuit wiring.



Model: AP 200DH-S Series	6" Duct	
Static Pressure (inches w.g.)	0.1	0.25
Air Volume (CFM)	200	188
Noise (sones)	2.0	2.0
Power Consumption (Watts)	24	24
Energy Efficiency (CFM/Watts)	8.3	7.8
Current (AMPS)	0.14A	0.24A
ENERGY STAR rated	Yes	
Grille Dimensions	13 3/8 x 13 3/8"	



Model	Qty	Comments	Project
			Location
			Architect
			Engineer
			Contractor
			Submitted by
			Date