



Specifications

A716 Series

Quiet Bathroom Exhaust Fan

Description: Low noise, low RPM, ceiling mount bathroom exhaust fan and heater • Suitable for new construction, or remodeling • Conforms to UL/CUL safety standards when used with GFCI circuit wiring • Includes 4 anti-blast infrared heat lamps and a 60W incandescent bulb • 4-function wall switch included.

Motor/Blower: Permanently lubricated enclosed condenser motor engineered for quiet exhaust operation; power rating 120v/60Hz; motor equipped with thermal shut off;

Housing: Rust proof paint on steel body; 4" duct connector with built-in back draft dampener; easy installation anti-vibration brackets included; designed for installation in ceilings with minimum of 8" clearance.

Grille: Low maintenance, wipe clean; attaches to housing with torsion springs

Finishes: Silver with Matte Chrome Trim (MC), White (W)

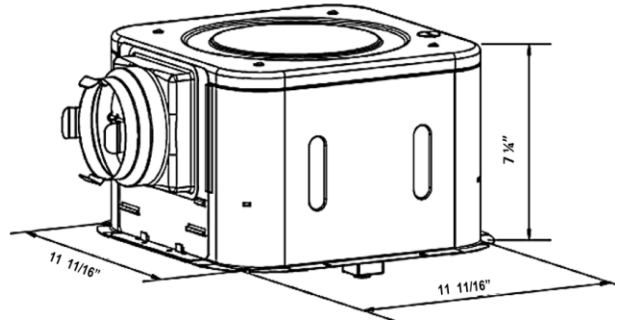
Ventilating Area: For bathrooms up to 100 sq ft.

Installation: Must be installed by a licensed professional. Requires a dedicated 15-amp circuit. Complete installation instructions included.

Shipping Weight: 17 lbs

Warranty: 4 Years

Architect's Specifications: Exhaust fan will be ceiling mount with no less than 100 CFM and no more than 1.2 Sones at 0.1 static pressure in inches water gauge. The motor will be permanently lubricated, engineered for quiet operation with thermal shut off. Duct diameter will be 4" round. Exhaust fan, heater (2 or 4 bulb), and light may be wired separately. Exhaust fan will not be installed directly over tub/shower enclosure. Exhaust fan shall be UL/CUL listed for use in insulated ceiling (Type I.C.).



Listed for use in insulated ceilings (Type I.C.) Do not install directly over tub/shower.



A (MC)

R (W)

B(W)

Model: A716 Series	4" Duct
Static Pressure (inches w.g.)	0.1
Air Volume (CFM)	90
Noise (sones)	1.2
Power Consumption (Watts)	1160
Current (AMPS)	9.6
Housing Dimensions (ins)	7 1/4 x 11 11/16 x 11 11/16
Grille Dimensions (ins)	A-17 3/4 x 14 9/16 B, R- 14 3/8 x 14 3/8



Model	Qty	Comments	Project
			Location
			Architect
			Engineer
			Contractor
			Submitted by
			Date