



Specifications

CP 80-S W

ENERGY STAR Slim Fit Ceiling or Wall Bathroom Fan

Description: Ceiling or wall mount bathroom exhaust fan
 • Suitable for new construction or remodeling • ENERGY STAR qualified • HVI certified • ETL listed for use in insulated ceilings (Type I.C.).

Motor/Blower: Permanently lubricated motor engineered for continuous operation; power rating 120v/60Hz; removable blower assembly with centrifugal type blower wheel; motor equipped with thermal shut off for safety and long fan life.

Housing: Rugged 26 GA galvanized steel; detachable 4" duct connector with built-in back draft dampener; torsion spring clips for even mounting; designed for ceilings with a minimum of 6" clearance; may be mounted in sloped ceilings up to 45-degree pitch.

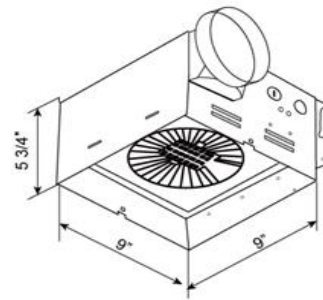
Grille: Low maintenance, wipe clean UV inhibiting polymeric resin; attaches to housing with torsion springs.

Finishes: White (W).

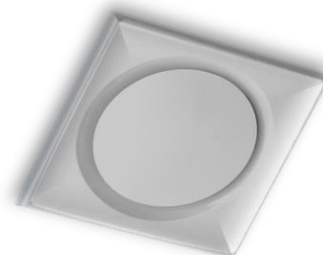
Installation: Must be installed by a licensed electrician. Complete installation instructions included.

Warranty: 4 Years

Architect's Specifications: Ventilation fan will be ceiling or wall mount, Energy Star qualified, no more than 1.5 sones at 80 CFM as certified by HVI at 0.1 Ps (inches water gauge). Power consumption shall be no greater than 24 watts and ENERGY STAR rated with an efficiency rating of no less than 3.4 CFM/watt. The motor will be permanently lubricated, engineered for continuous operation. Duct diameter will be 4" round. Fan shall be ETL/cETL listed for tub/shower enclosure when used with GFCI branch circuit wiring and shall be ETL/cETL listed for use in insulated ceiling (Type I.C.).



ETL Listed for installation over tub/shower enclosure with GFCI circuit wiring.



Model: CP 80-S W	4" Duct
Static Pressure (inches w.g.)	0.1
Air Volume (CFM)	80
Noise (sones)	1.5
Power Consumption (Watts)	24
Current (AMPS)	1.2
ENERGY STAR rated	Yes
Grille Dimensions	11 5/6" x 11 5/6"



Model	Qty	Comments	Project
			Location
			Architect
			Engineer
			Contractor
			Submitted by
			Date