



Specifications

CP 70-S

Slim Fit Ceiling/Wall Bathroom Fan

Description: Slim fit bathroom fan • Ceiling or wall mount • Suitable for new construction or remodeling • HVI certified • ETL listed for use in insulated ceilings (Type I.C.).

Motor/Blower: Permanently lubricated motor engineered for continuous operation; power rating 120v/60Hz; removable blower assembly with centrifugal type blower wheel; motor equipped with thermal shut off.

Housing: Rugged 26 GA galvanized steel; detachable 4" duct connector with built-in back draft dampener; built-in mounting ears; designed for ceilings with a minimum of 4" clearance.

Grille: Low maintenance, wipe clean UV inhibiting polymeric resin; attaches to housing with torsion springs.

Finishes: White (W).

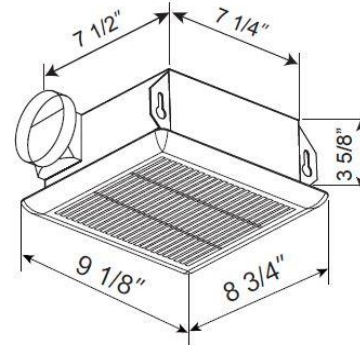
Installation: Complete installation instructions included.

Light: Energy efficient 26 Watt compact fluorescent bulb (not included).

Packaging: Packed six (6) per case.

Warranty: 4 Years

Architect's Specifications: Ventilation fan will be ceiling or wall mount, no more than 3.5 sones at 70 CFM as certified by HVI at 0.1 Ps (inches water gauge). Duct diameter will be 4" round. Fan shall be ETL/cETL listed for tub/shower enclosure when used with GFCI branch circuit wiring and shall be ETL/cETL listed for use in insulated ceiling or wall (Type I.C.).



ETL Listed for installation over tub/shower enclosure with GFCI circuit wiring.



Model: Series	4" Duct
Static Pressure (inches w.g.)	0.1
Air Volume (CFM)	70
Noise (sones)	3.5
Power Consumption (Watts)	50
Current (AMPS)	1.2
ENERGY STAR rated	No
Grille Dimensions	9 1/8" x 8 3/4"

Model	Qty	Comments	Project
			Location
			Architect
			Engineer
			Contractor
			Submitted by
			Date