



Specifications

AP 50-S

Slim Fit Ceiling/Wall Bathroom Fan

Description: Slim fit bathroom fan • Wall or ceiling mount • Suitable for new construction or remodeling • HVI certified • ETL listed for use in insulated ceilings (Type I.C.).

Motor/Blower: Permanently lubricated motor engineered for continuous operation; power rating 120v/60Hz; removable blower assembly with centrifugal type blower wheel; motor equipped with thermal shut off.

Housing: Rugged 26 GA galvanized steel; detachable 4" duct connector with built-in back draft dampener; built-in mounting ears; designed for ceilings with a minimum of 4" clearance.

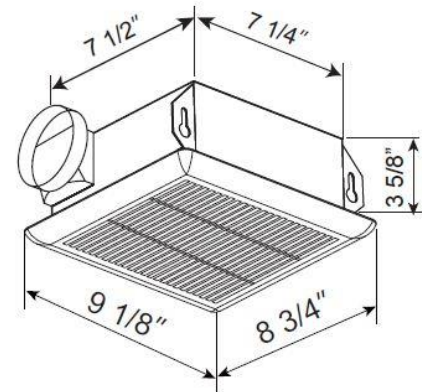
Grille: Low maintenance, wipe clean UV inhibiting polymeric resin; attaches to housing with torsion springs.

Finishes: White (W).

Installation: Complete installation instructions included.

Warranty: 4 Years

Architect's Specifications: Ventilation fan will be wall or ceiling mount, no more than 3.4 sones at 50 CFM as certified by HVI at 0.1 Ps (inches water gauge). Duct diameter will be 4" round. Fan shall be ETL/cETL listed for tub/shower enclosure when used with GFCI branch circuit wiring and shall be ETL/cETL listed for use in insulated ceiling (Type I.C.).



ETL Listed for installation over tub/shower enclosure with GFCI circuit



Model: Series	4" Duct	
Static Pressure (inches w.g.)	0.1	0.25
Air Volume (CFM)	50	44
Noise (sones)	3.4	n/a
Power Consumption (Watts)	46	44.5
Energy Efficiency (CFM/Watts)		
Current (AMPS)	1.2	1.17
ENERGY STAR rated	No	
Grille Dimensions	9 1/8" x 8 3/4"	



Model	Qty	Comments	Project
			Location
			Architect
			Engineer
			Contractor
			Submitted by
			Date