



### WARNING

**TO REDUCE THE RISK OF FIRE, ELECTRIC SHOCK, OR INJURY TO PERSONS, PLEASE READ THE FOLLOWING:**

1. Use this unit only in the manner intended by the manufacturer. If you have questions, contact the manufacturer at the address or telephone number listed in the warranty.
2. Before servicing or cleaning unit, switch power off at service panel and lock the service disconnecting means to prevent power from being switching on accidentally. If the service disconnecting means cannot be locked, securely fasten a prominent warning device, such as a tag, to the service panel.
3. Installation work and electrical wiring must be done by a licensed person(s) in accordance with all applicable codes and standards, including fire-rated construction codes and standards.
4. Sufficient air is needed for proper combustion and exhausting of gases through the flue (chimney) of fuel burning equipment to prevent backdraft. Follow the heating equipment manufacturer's guideline and safety standards such as those published by the National Fire Protection Association (NFPA), and the American Society for Heating, Refrigeration and Air Conditioning Engineers (ASHRAE), and the local code authorities.
5. When cutting or drilling into wall or ceiling, do not damage electrical wiring and other hidden utilities.
6. Ducted fans must always be vented to the outdoors.
7. Acceptable for use over a tub or shower when connected to a GFCI (Ground Fault Circuit Interrupter) protected branch circuit.
8. This unit must be grounded.
9. Never place a switch where it can be reached from a tub or shower.
10. Not for use in kitchens.
11. Install fan at least 2.5 m (8.2 feet) above the floor.
12. **WARNING:** To reduce the risk of fire or electric shock, do not use this fan with any solid-state speed control device.
13. The fan must not be installed in a ceiling thermally insulated to a value greater than R40.

### CAUTION

1. For general ventilating use only. Do not use to exhaust hazardous or explosive materials and vapors.
2. This product is designed for installation in ceilings up to a 12/12 pitch (45 degree angle). **DO NOT MOUNT THIS PRODUCT IN A WALL.**
3. To avoid motor bearing damage and noisy and/or unbalanced impellers, keep drywall spray, construction dust, etc. off power unit.
4. Please read specification label on product for further information and requirements.

\*This manual in electronic format may be downloaded from our company website or obtained from the dealer.

### CLEANING & MAINTENANCE

For quiet and efficient operation, long life, and attractive appearance, lower or remove grille and vacuum interior of unit with the dusting brush attachment.

The motor is permanently lubricated and never needs oiling.

### OPERATION

Use an on/off switch to operate this fan. See "Connect Wiring" for details.

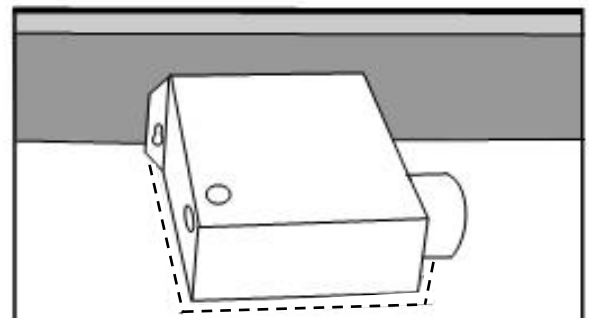
### ASSEMBLY INSTRUCTIONS

#### MOUNT DIRECTLY TO JOIST OR I-JOIST

Place the housing assembly in the opening so the bottom edge is flush with the finished ceiling. Nail the housing assembly to the joist using nails.

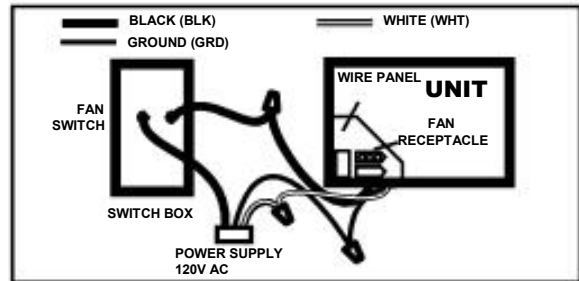
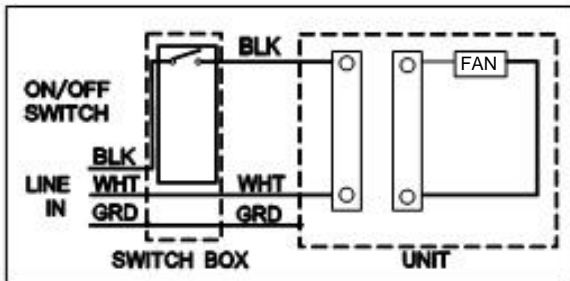
#### POSITION THE HOUSING ASSEMBLY

Position the housing assembly against the joist. With a pencil, trace an outline of the housing assembly onto the ceiling. Set the housing aside, and cut out an opening for the fan. **DO NOT MOUNT THIS PRODUCT IN A WALL.**



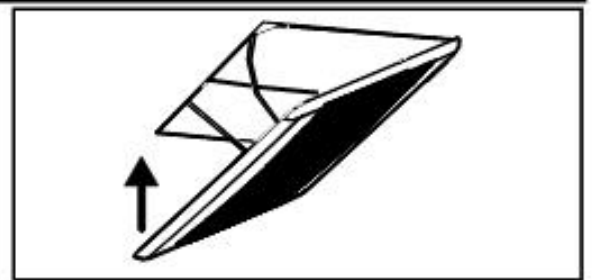
## CONNECT ELECTRICAL WIRING

Lock off and test all power sources before unit is wired. All wiring should be in accordance with local ordinances and National Electrical Code, NFPA70. Use proper UL approved connectors to secure wiring to wire plate. Ensure approved connectors to secure wiring to wire plate. Ensure power supply (voltage, frequency, and current capacity of wiring) is in accordance with the motor nameplate. Connect all wiring as shown in wiring diagram.



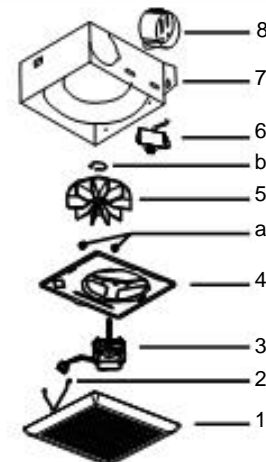
## INSTALL GRILLE

Press the springs on the grille together and insert springs into the motor plate inside the housing assembly. Firmly push the grille up against the ceiling.



## SERVICE PARTS

PART	PART NAME	Qty.
1	Grille Assembly (includes part 2)	1
2	Grille Spring	2
3	Motor	1
4	Motor Plate	1
5	Blower Wheel	1
6	Wire Panel / Harness Assembly	1
7	Housing	1
8	Damper / Duct Connector	1
a	Nut	2
b	Circlip	1



## WARRANTY

This warranty covers all defects in workmanship or materials for:

The mechanical and electrical parts contained in this product for a period of 72 months from the date of purchase. You must keep and be able to provide your original sales receipt as proof of date of purchase. This warranty is covered to the original retail purchaser of this product only. The manufacturer will replace any mechanical or electrical part that proves defective in normal household use for a period of 72 months.

THIS WARRANTY DOES NOT COVER:

- Damages from improper installation
- Damages from shipping.
- Damages from misuse, abuse, accident, alteration, lack of proper care and maintenance.
- Damages from service by persons other than a licensed electrician.
- Does not cover any labor or transportation charges related to the repair of this product.

THIS LIMITED WARRANTY IS GIVEN IN LIEU OF ALL OTHER WARRANTIES, EXPRESSED OR IMPLIED, INCLUDING THE WARRANTIES OF MERCHANTABILITY AND FITNESS FOR A PARTICULAR PURPOSE.

The remedy provided in this warranty is exclusive and is granted in lieu of all other remedies. This warranty does not cover incidental or consequential damages. Some states do not allow the exclusion of incidental or consequential damages, so this limitation may not apply to you. Some states do not allow limitations on how long an implied warranty lasts, so this limitation may not apply to you. This warranty gives you specific legal rights; you may also have other rights that vary from state to state.

## READ AND SAVE THESE INSTRUCTIONS

Installer: Leave this manual with the homeowner.