



Specifications

CYL 400-SR SERIES

Bathroom Extractor Fan with Cyclonic Technology

Description: Slim fit bathroom fan engineered for continuous run • Suitable for new construction or remodeling • Ceiling mount from inside the room • Fully integrated fan with 1-piece mounting plate- no flaps, no ears! • Cyclonic Technology captures 10X more contaminants- moisture, odors, gases, allergens, and dust particulates-than traditional exhaust fans • MET listed for use in insulated ceilings (Type I.C.).

Motor/Blower: Ball bearing; Permanently lubricated enclosed condenser motor engineered for continuous energy efficient operation; power rating 120v/60Hz; motor equipped with thermal shut off.

Housing: Fire retardant PP (V-0 class UL approved); detachable 4” duct connector with built-in back draft dampener; 3” duct adaptor included; designed for ceilings with a minimum of 6” clearance; installs from inside the room; if retro-fit, use existing 3 or 4” duct, wiring, and switch.

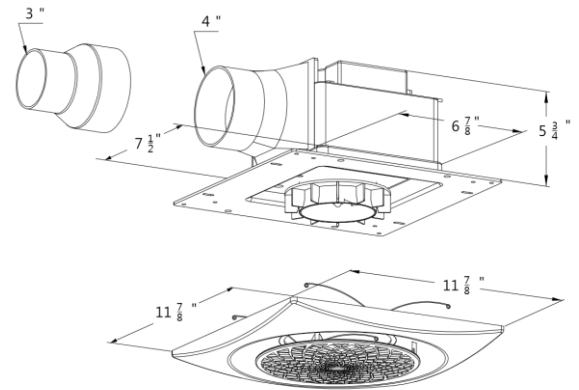
Grille: Contemporary design; low maintenance, wipe clean UV inhibiting polymeric resin.

Finishes: White (W); Satin Nickel (SN)

Installation: Must be installed by a licensed professional. Complete installation instructions included.

Warranty: Six (6) years.

Architect’s Specifications: Ventilation fan will be ceiling mount, and no more than 1.9 Sones at 60 CFM as certified at 0.1 Ps (inches water gauge). Power consumption shall be no greater than 15.5 watts with an efficiency rating of no less than 3.9 CFM/watt. The motor will be permanently lubricated, engineered for continuous operation. Duct diameter will be 4” round. Fan shall be MET listed for tub/shower enclosure when used with GFCI branch circuit wiring and shall be MET listed for use in insulated ceiling (Type I.C.).



MET Listed for installation in insulated ceilings (Type I.C.)
 MET listed for tub/shower enclosure when used with GFCI branch circuit wiring



Model: CYL 400-SR Series	4” Duct	
Static Pressure (inches w.g.)	0.1	0.25
Air Volume (CFM)	60	18
Noise (sones)	1.9	n/a
Power Consumption (Watts)	15.5	14.1
Energy Efficiency (CFM/Watts)	3.9	1.3
Current (AMPS)	0.13	0.12
RPM	1474	1607
Grille Dimensions	11 7/8” x 11 7/8”	

Model	Qty	Comments	Project
			Location
			Architect
			Engineer
			Contractor
			Submitted by
			Date