



Specifications

**AP 80 RVL**

Super Quiet Bathroom Fan with Recessed Light

**Description:** Low RPM, low noise, ceiling mount bathroom fan with recessed light engineered for continuous run • Suitable for new construction or remodeling • HVI certified • ETL listed for use in insulated ceilings (Type I.C.).

**Motor/Blower:** Permanently lubricated enclosed motor engineered for continuous energy efficient operation; power rating 120v/60Hz; motor equipped with thermal shut off.

**Housing:** Rugged 26 GA galvanized steel; expandable 4" to 5" duct connector with built-in back draft dampener; 2 anti-vibration hangar bar brackets adjustable to 24" span included.

**Trim Ring:** Low maintenance, wipe clean UV inhibiting polymeric resin. Mounts flush to ceiling. Accepts any of the following bulbs: 75W, PAR30, PAR30L, 14W (max) LED.

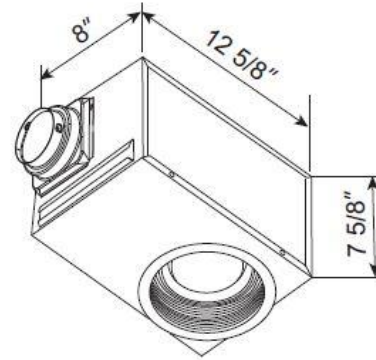
**Light:** Bulb not included. Accepts any of the following bulbs: 75W, PAR30, PAR30L, BR30 14W (max) LED. For ENERGY STAR compliance GU24 Kit. GU24 Kit not included.

**Finishes:** White (W).

**Installation:** Must be installed by a licensed professional. Complete installation instructions included.

**Warranty:** 6 Years.

**Architect's Specifications:** Ventilation fan will be ceiling mount, ENERGY STAR qualified and no more than 1.2 sones at 80 CFM as certified by HVI at 0.1 Ps (inches water gauge). Power consumption shall be no greater than 20 watts with an efficiency rating of no less than 4 CFM/watt. The motor will be permanently lubricated, engineered for continuous operation. Light/fan to operate separately or in combination. Light/fan must use a 75W Max. PAR30, 14W Max. BR30 LED, or 75W Max. PAR30L (for use over tub/shower.) Duct diameter will be 4" to 5" expandable. Fan shall be ETL/cETL listed for tub/shower enclosure when used with GFCI branch circuit wiring and shall be ETL/cETL listed for use in insulated ceiling (Type I.C.). Fan can be used to Comply with CA Title 24.



- ETL Listed for installation over tub/shower enclosure with GFCI circuit wiring and used with a PAR30L 75W (max) CFL.
- ENERGY STAR compliant when used with a GU24 Kit. ( GU24 Kit not included. )

Model: AP 80 RVL	4" Duct	
Static Pressure (inches w.g.)	0.1	0.25
Air Volume (CFM)	80	68
Noise (sones)	1.2	n/a
Power Consumption (Watts)	20	18.5
Energy Efficiency (CFM/Watts)	4	3.7
Current (AMPS)	0.2	0.19
ENERGY STAR rated	Yes	
Bulb NOT included		



Model	Qty	Comments	Project
			Location
			Architect
			Engineer
			Contractor
			Submitted by
			Date