



Specifications

# AP 70 G Series

Very Quiet Bathroom Ventilation Fan

**Description:** Low RPM, low noise, ceiling mount bathroom fan • Suitable for new construction, or remodeling • HVI certified • ENERGY STAR qualified • UL/cUL listed for use in insulated ceilings (Type I.C.).

**Motor/Blower:** Permanently lubricated enclosed condenser motor; power rating 120v/60Hz; engineered for quiet operation; motor equipped with thermal shut off.

**Housing:** Rust proof paint on steel body; 4" duct connector with built-in back draft dampener; easy installation anti-vibration brackets included; designed for installation in ceilings with minimum of 8" clearance.

**Grille:** Low maintenance, wipe clean; attaches to housing with torsion springs

**Finishes:** White (W)

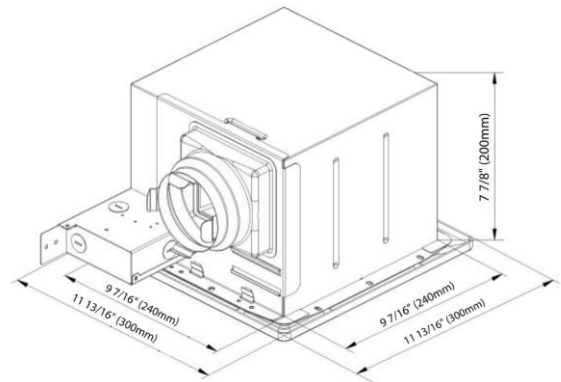
**Ventilating Area:** For bathrooms up to 70 sq ft.

**Installation:** Complete installation instructions included

**Shipping Weight:** 14 lbs

**Warranty:** 6 Years

**Architect's Specifications:** Ventilation fan will be ceiling mount, ENERGY STAR qualified, with no less than 110 CFM and no more than 1.0 Sones as certified by HVI at 0.1 static pressure in inches water gauge. Power consumption shall be no greater than 26.1 watts and ENERGY STAR rated with an efficiency rating of no less than 2.7 CFM/watt. The motor will be permanently lubricated, engineered for quiet operation. Duct diameter will be 4" round. Fan shall be UL/cUL listed for tub/shower enclosure when used with GFCI branch circuit wiring and shall be UL/CUL listed for use in insulated ceiling (Type I.C.). Fan shall be ASHRAE 62.2, LEED, California Title 24, and Washington VIAQ compliant.



UL/CUL Listed for installation over tub/shower enclosure when used with GFCI circuit wiring



G5 (W) Grille



G6 (W) Grille



Model: AP 70 G5 Series	4" Duct	
Static Pressure (inches w.g.)	0.1	0.25
Air Volume (CFM)	70	64
Noise (sones)	1.0	n/a
Power Consumption (Watts)	26.1	25.5
Energy Efficiency (CFM/Watts)	2.7	2.5
Speed (RPM)	1028	1081
Current (AMPS)	0.15	0.15
ENERGY STAR rated	Yes	
Grille Dimensions	11 5/6" x 11 5/6"	

Model	Qty	Comments	Project							
			Location	Architect	Engineer	Contractor	Submitted by	Date		