

DIAGRAM. A



With light model:

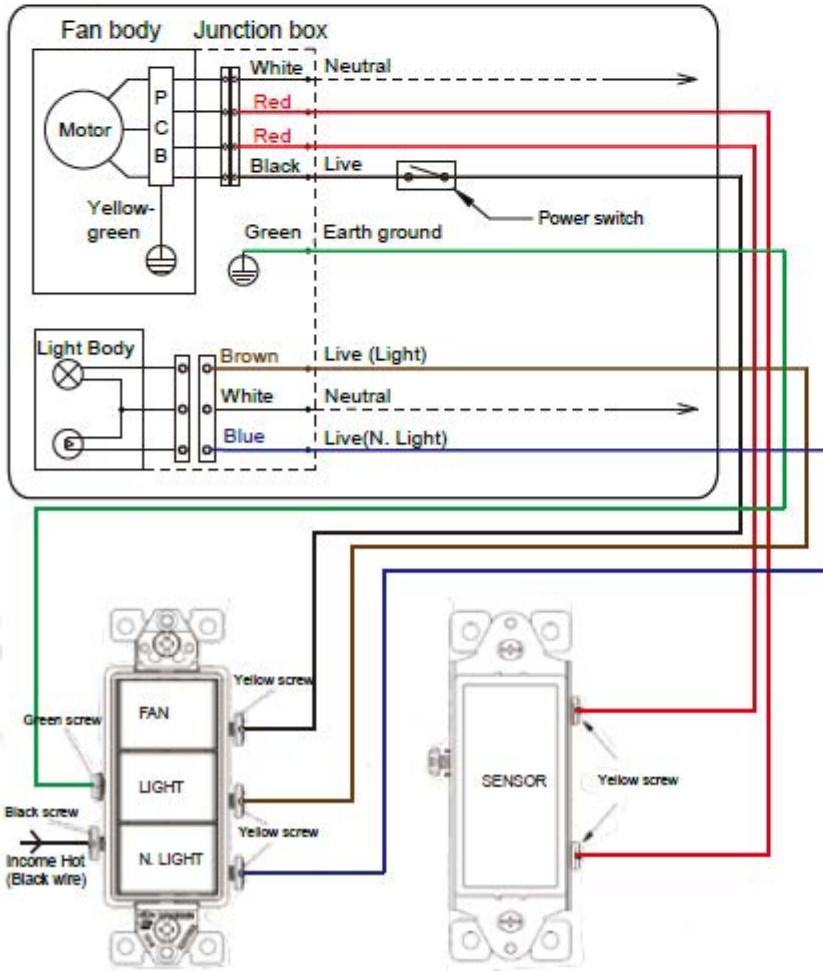


DIAGRAM. B

